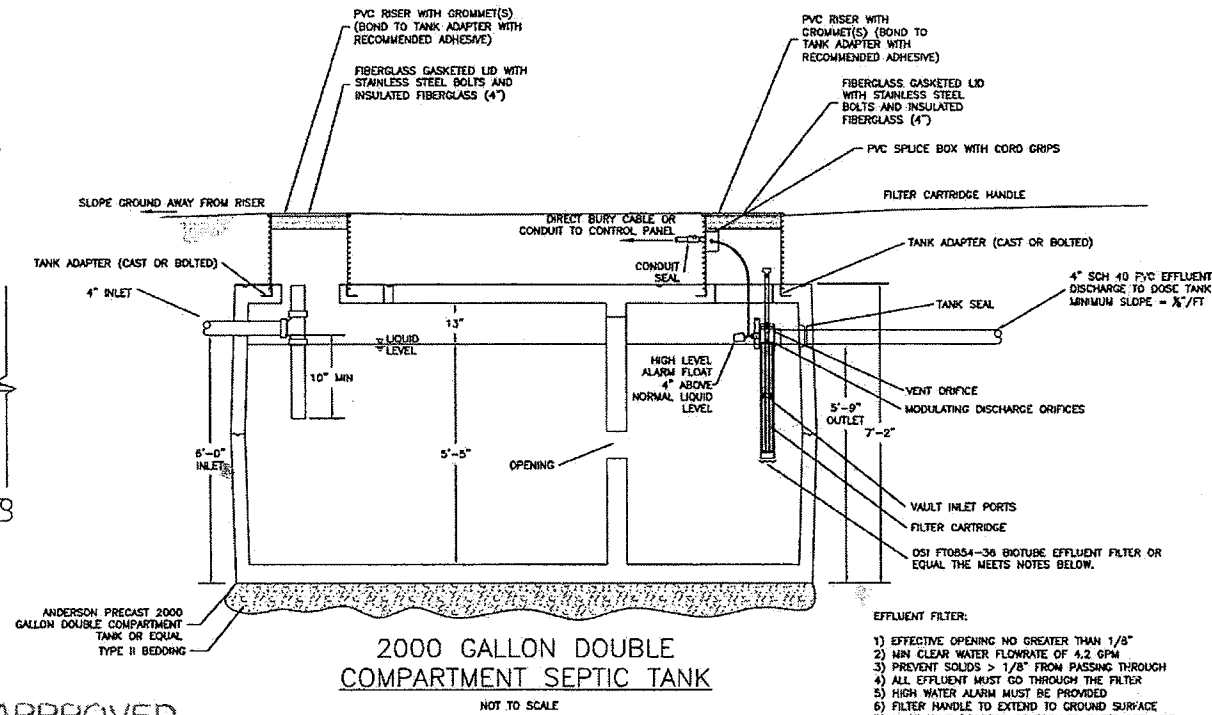
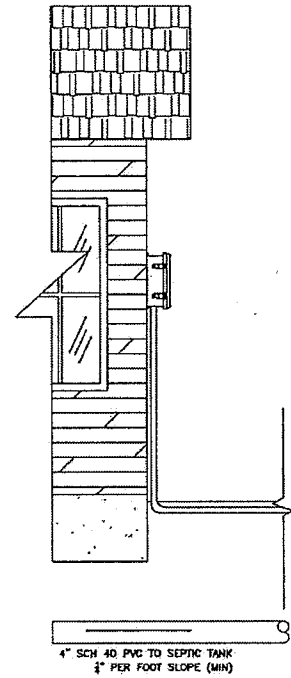


NOT IN CONTRACT

COMPONENTS ON THIS SHEET ARE TO DEMONSTRATE THE HOMEOWNERS REQUIREMENTS FOR SEWER STEP SYSTEM. INSTALLING CONTRACTOR SHALL OBTAIN A MADISON COUNTY SEPTIC SYSTEM PERMIT PRIOR TO INSTALLATION.

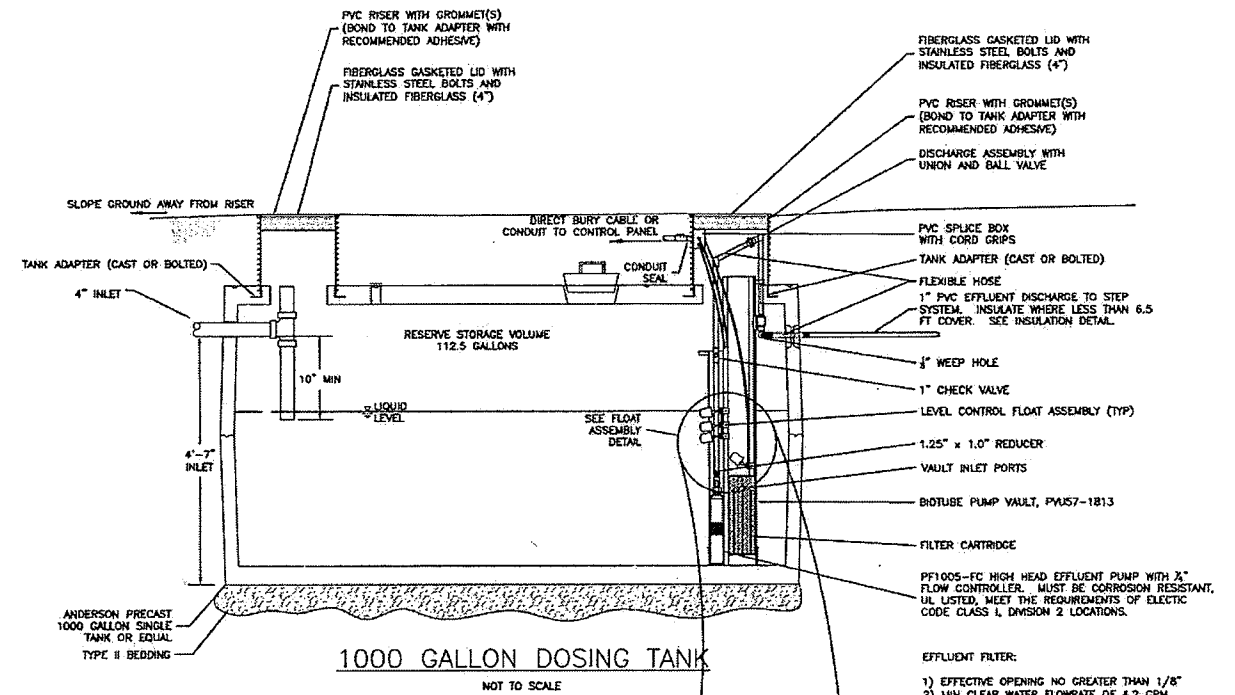
NOTES:

1. MAINTAIN MINIMUM 10' SEPARATION BETWEEN SEPTIC TANK/DOSING TANK AND STRUCTURES
2. MAINTAIN MINIMUM 50 FEET FROM SEPTIC/DOSING TANK AND WELLS
3. DOSE PUMP SHALL BE DESIGNED BY AN ENGINEER, WITH A MINIMUM OF 3 FLOATS: PUMP OFF, PUMP ON, AND HIGH WATER ALARM.
4. MAINTAIN MINIMUM 50 FEET SEPARATION BETWEEN SEPTIC TANK/DOSING TANK AND SURFACE WATER AND/OR WETLANDS



2000 GALLON DOUBLE COMPARTMENT SEPTIC TANK
NOT TO SCALE

- EFFLUENT FILTER:**
- 1) EFFECTIVE OPENING NO GREATER THAN 1/8"
 - 2) MIN CLEAR WATER FLOWRATE OF 4.2 GPM
 - 3) PREVENT SOLIDS > 1/8" FROM PASSING THROUGH
 - 4) ALL EFFLUENT MUST GO THROUGH THE FILTER
 - 5) HIGH WATER ALARM MUST BE PROVIDED
 - 6) FILTER HANDLE TO EXTEND TO GROUND SURFACE
 - 7) MUST HAVE PROCESS CONTROLLED FILTER OPENINGS
 - 8) FILTER MATERIAL MUST BE CORROSION RESISTANT
 - 9) FILTER MUST MEET ANSI/NSF STANDARD 46
 - 10) O&M MANUAL MUST BE PROVIDED



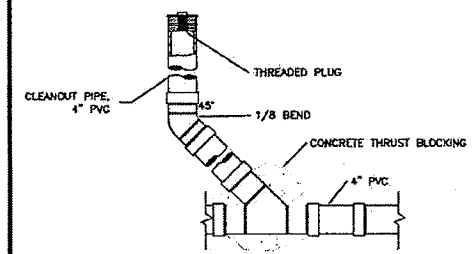
1000 GALLON DOSING TANK
NOT TO SCALE

- EFFLUENT FILTER:**
- 1) EFFECTIVE OPENING NO GREATER THAN 1/8"
 - 2) MIN CLEAR WATER FLOWRATE OF 4.2 GPM
 - 3) PREVENT SOLIDS > 1/8" FROM PASSING THROUGH
 - 4) ALL EFFLUENT MUST GO THROUGH THE FILTER
 - 5) HIGH WATER ALARM MUST BE PROVIDED
 - 6) FILTER HANDLE TO EXTEND TO GROUND SURFACE
 - 7) MUST HAVE PROCESS CONTROLLED FILTER OPENINGS
 - 8) FILTER MATERIAL MUST BE CORROSION RESISTANT
 - 9) FILTER MUST MEET ANSI/NSF STANDARD 46
 - 10) O&M MANUAL MUST BE PROVIDED

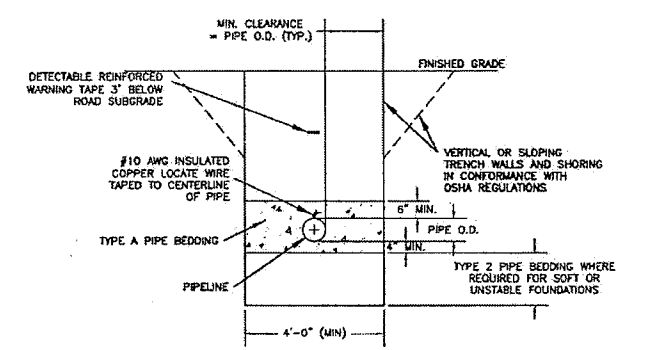
APPROVED
Montana Department of
Environmental Quality
Permitting and Compliance Division
Cass P. Kujawa 8-12-08
Reviewer Date

EQ # 08-2989
3 of 3

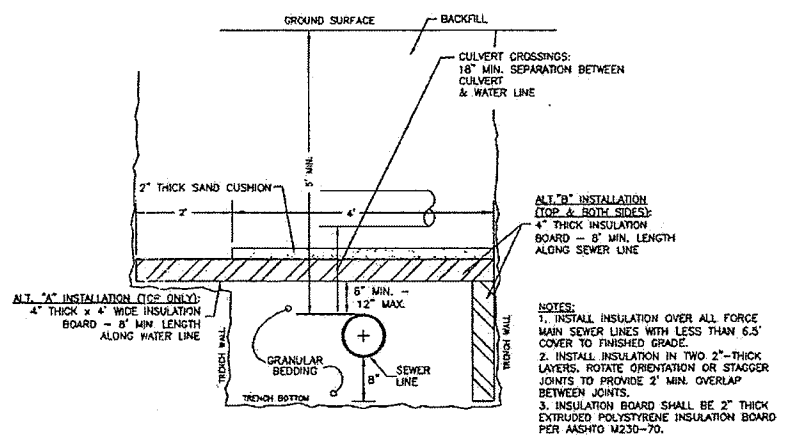
NOTE: INSTALL CLEANOUT WITHIN 3 FEET OF SERVICE EXITING THE BUILDING.



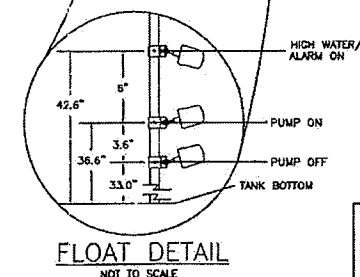
CLEANOUT DETAIL
NOT TO SCALE



TYPICAL SECTION - SINGLE PIPE TRENCH DETAIL
NOT TO SCALE



PIPE INSULATION DETAIL
PROFILE: NOT TO SCALE



FLOAT DETAIL
NOT TO SCALE

RECEIVED
JUN 19 2008
MT DEQ PUBLIC WATER & SUBDIVISIONS BUREAU

TABLE D-1-1

LOT #	SPECIFIED EFFLUENT PUMP	MAX O(GPM)	MAX TDH(FT)
37	ORENCO HIGH HEAD PF1005-FC	11.4	29.8
45	ORENCO HIGH HEAD PF1005-FC	10.2	74.0
48	ORENCO HIGH HEAD PF1005-FC	11.0	43.8
47	ORENCO HIGH HEAD PF1005-FC	11.7	17.4

VERIFY SCALE!
THESE PRINTS MAY BE REDUCED. LINE BELOW MEASURES ONE INCH ON ORIGINAL DRAWING.

MODIFY SCALE ACCORDINGLY

NO.	DESCRIPTION	DATE	BY

MORRISON MAIERLE, INC.
An Employee-Owned Company

Engineers
Surveyors
Scientists
Planners

901 Technology Blvd.
Bozeman, MT 59716

Phone: (406) 587-0721
Fax: (406) 587-1176

DRAWN BY: DRO
CHKD BY: JLH
APPR BY: MEG
DATE: 5/2008
Q.A. REVIEW BY: JLH
DATE: 5/2008

SPANISH PEAKS RESORT SUBDIVISION, PHASE 2
REWRITE FOR LOTS 37, 45-47

BIG SKY

MONTANA

SEPTIC TANK/ DOSE TANK DETAILS

PROJECT NUMBER
3652.024

SHEET NUMBER

DRAWING NUMBER
D-1