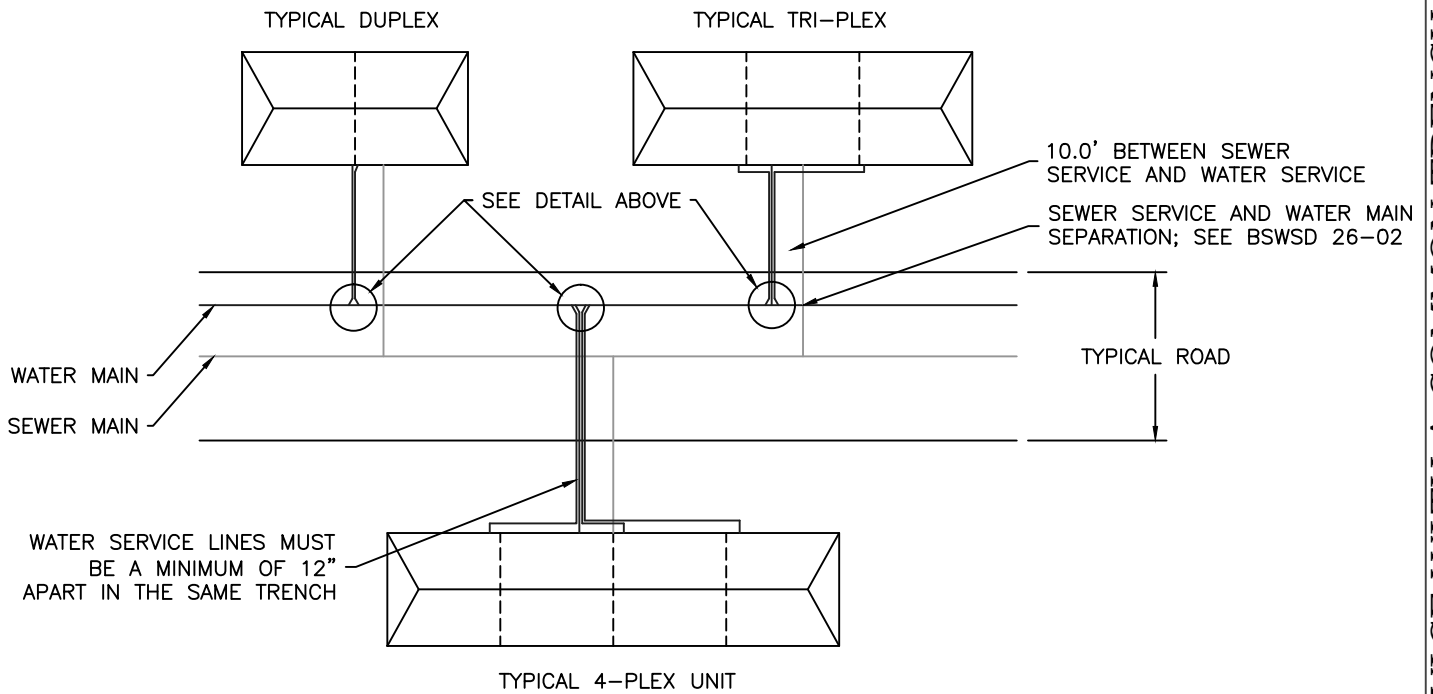


PLAN VIEW
MAIN LINE SERVICE CONNECTIONS



<p>DETAIL NO.:</p> <p>BSWSD: 26-27</p>	<p>BIG SKY WSD 363 STANDARD DRAWING</p>	<p>SCALE:</p> <p>NONE</p>	<p>COMMON TRENCH WATER SERVICES FOR MULTI-PLEX UNITS</p>	<p>DATE: FEBRUARY 2010</p> <p>LAST REVISION: N/A</p> <p>CROSS REFERENCE WITH: N/A</p>
--	--	---------------------------	---	---