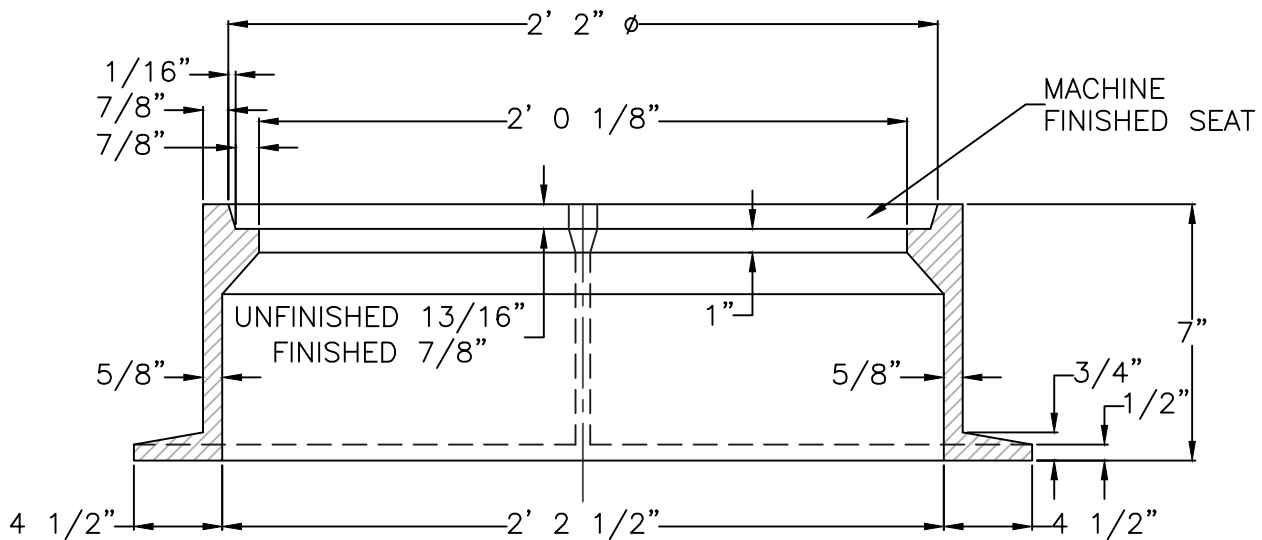


HALF PLAN



SECTION A-A

NOTE: WEIGHT 210 LBS

| | | | | |
|------------------------------------|---|----------------|--|---|
| DETAIL NO.: BSWSD: 27-09 | BIG SKY WSD 363 STANDARD DRAWING | SCALE: NONE | STANDARD 24" CAST IRON MANHOLE RING | DATE: FEBRUARY 2010 LAST REVISION: DECEMBER 1995 CROSS REFERENCE WITH: MPW: 02720-9 |
|------------------------------------|---|----------------|--|---|