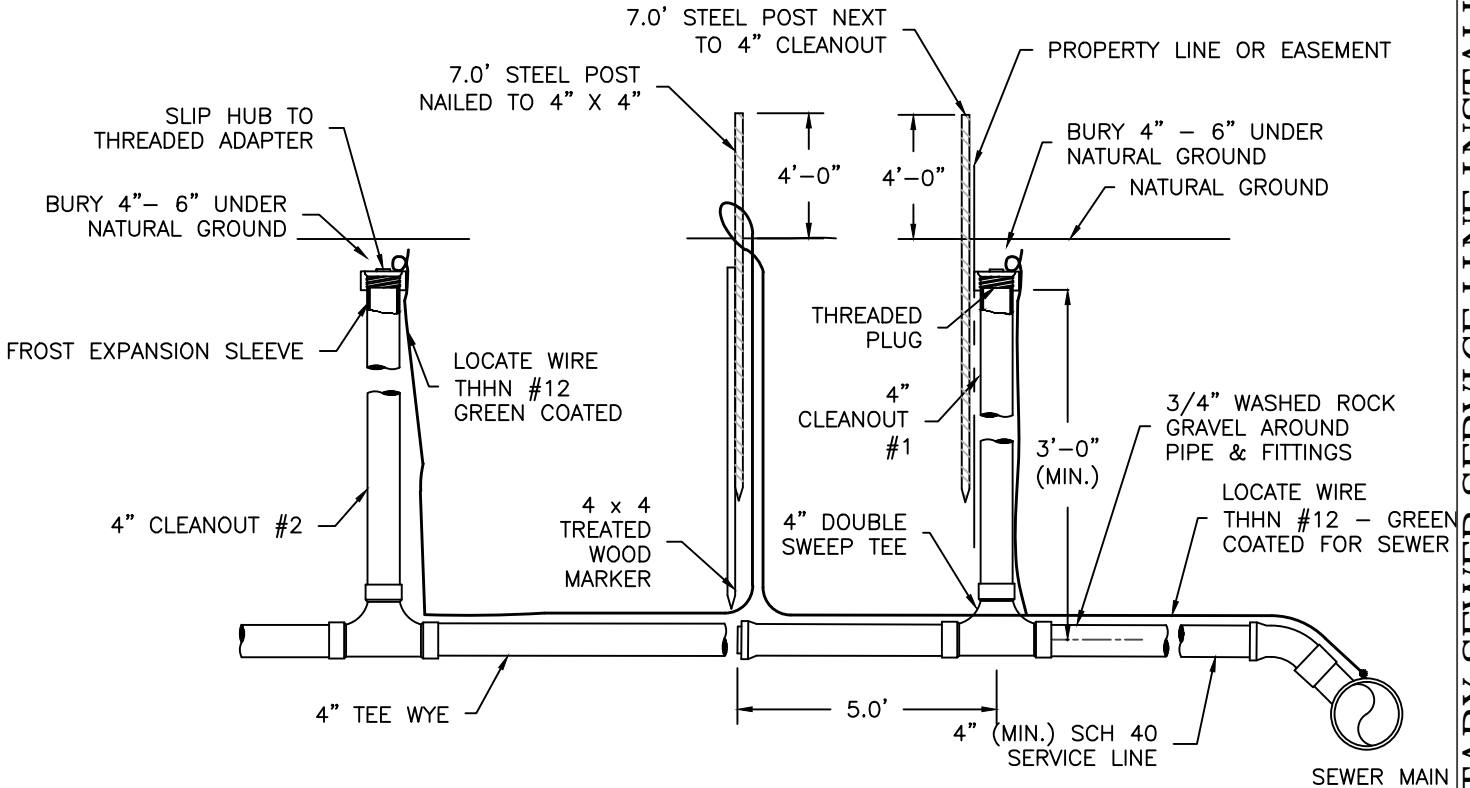


NOTES:

1. CLEANOUTS EVERY 100 FEET.
2. ALL CLEANOUTS NEED TO BE READILY ACCESSIBLE AT THE COMPLETION OF THE PROJECT.



NOTES:

1. SEE DETAIL NO: BSWSD: 27-13 FOR INSULATION REQUIREMENTS.

DETAIL NO.:

BSWSD:
27-02

**BIG SKY WSD 363
STANDARD DRAWING**

SCALE:
NONE

**TYPICAL SANITARY SEWER
SERVICE LINE INSTALLATION
W/ CLEANOUTS**

DATE:

FEBRUARY 2010

LAST REVISION:

MAY 4, 2010

CROSS REFERENCE WITH:

N/A