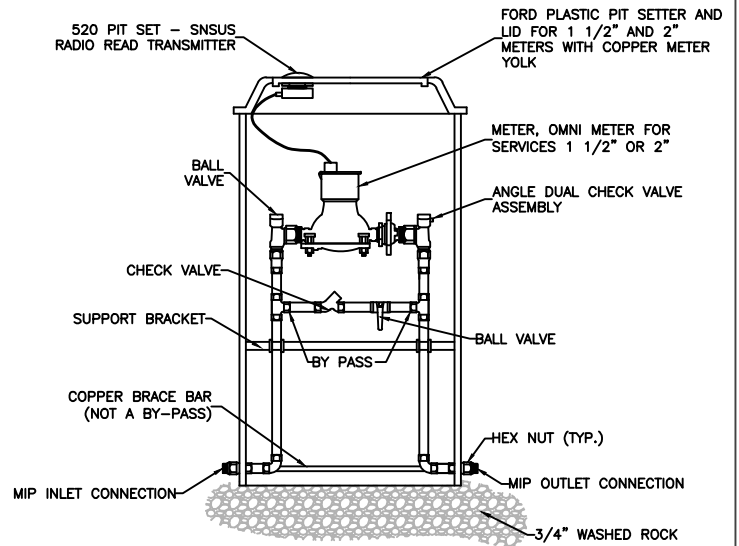


MUELLER/HUNT 1 1/2" AND 2" PIT SETTER SYSTEM SETUP



FORD 1 1/2" AND 2" PIT SETTER SYSTEM SETUP

**NOTES:**

1. ALL WATER SERVICE COMPONENTS SHALL BE IRON PIPE SIZE. NO GALVANIZED PIPE OR FITTINGS SHALL BE USED. WATER SERVICE SADDLE, CORPORATION STOP, AND PIPE SHALL BE SIZED AS FOLLOWS:
2. METER BOX LOCATIONS SHALL BE SHOWN ON WATER SYSTEM PLANS AND APPROVED BY THE BIG SKY WATER AND SEWER DISTRICT.
3. SERVICE PIPE SHALL BE POLYETHYLENE PRESSURE PIPE CONFORMING TO AWWA C901. SERVICE PIPE SHALL BE CLASS 200, SIDR 7.
4. SERVICE PIPE SHALL BE BURIED AT 7.0' MIN/8.0' MAX DEPTH.
5. SERVICE CONNECTIONS SHALL BE 18" MINIMUM FROM THE WATER MAIN PIPE END. MULTIPLE SERVICE CONNECTIONS IN THE SAME JOINT OF PIPE SHALL BE SEPARATED BY 12" AND NOT IN THE SAME HORIZONTAL LEVEL - ABSOLUTE.
6. SERVICE PIPE SHALL BE FLUSHED IMMEDIATELY PRIOR TO METER INSTALLATION.
7. WATER METERS SHALL BE SENSUS 520M PIT SET OR 510M NON-PIT SET WALL MOUNTED AND EQUIPPED WITH A WATERPROOF ELECTRONIC COMMUNICATIONS REGISTRAR WITH TOUCHPAD READ-OUT.
8. SERVICE LINE FROM MAIN TO METER SHALL BE UNINTERUPED (NO SPLICES/JOINTS). METER SHALL BE 13' OF PROPERTY LINE. ANY CHANGES IN OFFSET OR LOCATION SHALL BE PROHIBITED WITHOUT APPROVAL FROM BIG SKY WATER AND SEWER DISTRICT.

DETAIL NO.:

BSWSD:  
26-28

**BIG SKY WSD 363  
STANDARD DRAWING**

SCALE:  
NONE

**MUELLER/HUNT AND FORD  
1 1/2" AND 2" METER PIT  
SETTERS**

DATE:

FEBRUARY 2010

LAST REVISION:

N/A

CROSS REFERENCE WITH:

N/A