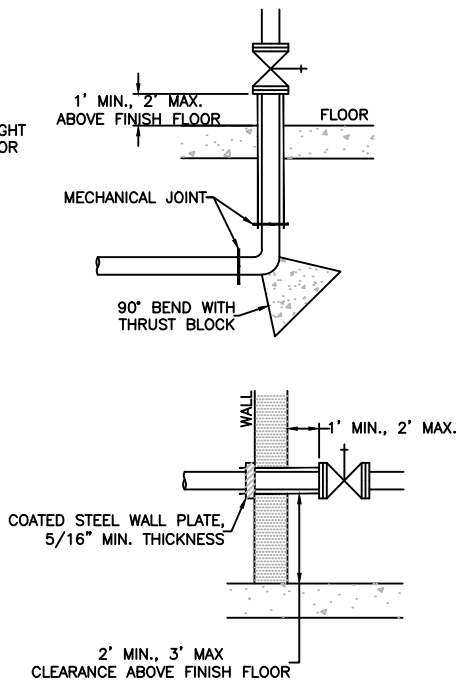


PROVIDE FLEXIBLE, WATER-TIGHT CONNECTION FOR ALL WALL OR FLOOR PIPE PREVENTION.



- BIG SKY COUNTY WATER & SEWER DISTRICT 363 REQUIREMENTS FOR INSTALLATION OF DOUBLE CHECK VALVE ASSEMBLY
- The FIRST fitting inside of the building shall be a UL listed flanged Kennedy or Mueller OS&Y valve the same size as the service line. Combination strainer/meter immediately following OS&Y valve or elbow attached directly to OS&Y valve -- meter must set horizontal.
 - All Backflow Prevention Assemblies shall be:
 - UL or FM listed
 - Approved by the University of Southern California Foundation for Cross Connection Control and Hydraulic Research (USCFCCCHR) for operation in the proposed position (vertical or horizontal) as shown on approved plans.
 - Installed as shown on the approved plans
 - Horizontal installations must be a minimum of 2' above the finished floor.
 - The service riser must be a minimum of 2' from any outside wall.
 - The incoming fire service line shall be a minimum of 7.0', and a maximum of 8.0' below the finished grade.
 - All service line appurtenances shall have a minimum pressure rating of 200 PSI.
 - All service lines 4" and larger shall be Class 51 Ductile Iron Pipe.
 - Line sizing: The Backflow Prevention Assembly and meter shall be equal in size to both the incoming pipe diameter (upstream) and outgoing pipe diameter (downstream). For example, a 4" service line shall have a 4" meter and Backflow Prevention Assembly.

DETAIL NO.:

BSWSD:
26-12

**BIG SKY WSD 363
STANDARD DRAWING**

SCALE:
NONE

**WATER SERVICE LINE FOR
SIZES 4" AND LARGER**

DATE: FEBRUARY 2010
 LAST REVISION: MAY 4, 2010
 CROSS REFERENCE WITH: SIMILAR TO: COB: 02660-12