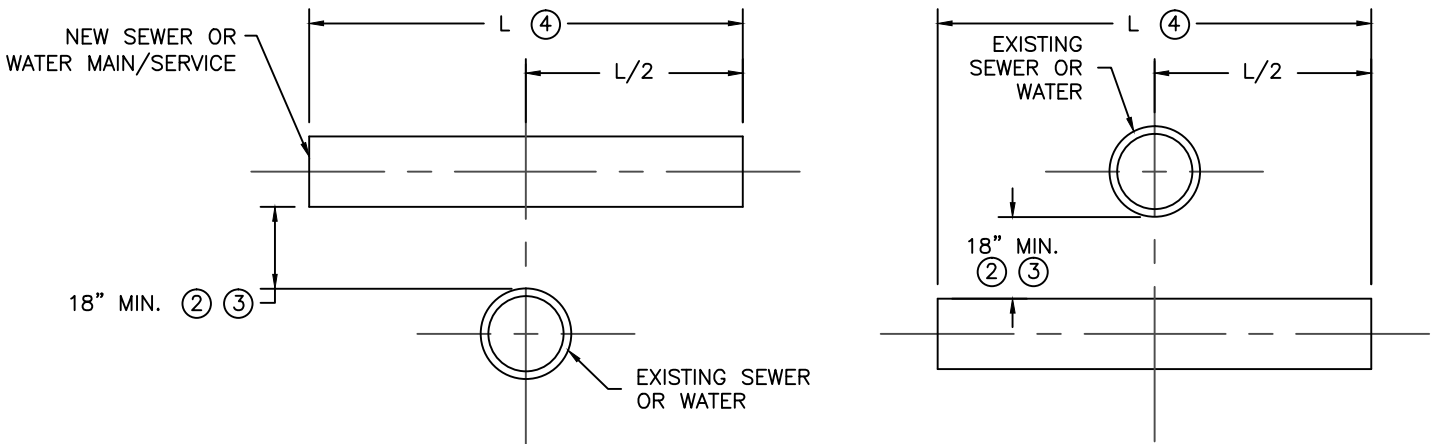


PARALLEL ARRANGEMENT



CROSSINGS ⑤

NOTES:

- ① SPECIFIC MONTANA DEPARTMENT OF ENVIRONMENTAL QUALITY APPROVAL IS REQUIRED FOR A DISTANCE LESS THAN 10 FEET BETWEEN WATER MAIN AND GRAVITY SEWER. THIS SEPERATION SHALL ALSO APPLY TO WATER AND SEWER SERVICES.
- ② NO EXCEPTION TO THE MINIMUM SEPARATION REQUIREMENT IS PERMITTED WHEN THE SEWAGE CARRYING PIPE IS A FORCE MAIN. AT CROSSINGS, ONE FULL LENGTH OF WATER MAIN PIPE SHALL BE LOCATED SO THAT BOTH JOINTS WILL BE AS FAR FROM THE FORCE MAIN AS POSSIBLE.
- ③ LESS THAN 18 INCHES OF SEPARATION IS PERMITTED WHEN THE GRAVITY SEWER AT THE CROSSING IS MADE FROM A SINGLE 20 FOOT LENGTH OF AWWA PRESSURE PIPE AND THE CROSSING ANGLE IS APPROXIMATELY 90 DEGREES. SPECIFIC MONTANA DEPARTMENT OF ENVIRONMENTAL QUALITY APPROVAL IS REQUIRED FOR A VERTICAL SEPARATION OF LESS THAN 18 INCHES BETWEEN WATER MAIN AND SANITARY SEWER.
- ④ "L" IS A STANDARD LENGTH OF PIPE AS SUPPLIED BY A PIPE MANUFACTURER.
- ⑤ ADEQUATE STRUCTURAL SUPPORT FOR PIPES AT CROSSINGS SHALL BE PROVIDED.

DETAIL NO.:

BSWSD:  
26-02

**BIG SKY WSD 363  
STANDARD DRAWING**

SCALE:  
NONE

**WATER AND SEWER MAIN  
AND SERVICE SEPARATION**

DATE:

FEBRUARY 2010

LAST REVISION:

FEBRUARY 2001

CROSS REFERENCE WITH:

MPW-6-NO. 02660-2